

# Fairness Through Data

**Jared Fishman**

Founder & Executive Director  
Justice Innovation Lab

**John Choi**

Ramsey County Attorney  
Ramsey County, MN

# 'Monumental day for civil rights'



Michael Slager

Family thankful after Slager pleads guilty in federal case; state charge dropped



LEROY BURNELL/STAFF

Judy Scott speaks Tuesday in downtown Charleston after Michael Slager pleaded guilty to federal charges in the death of her son, Walter Scott. Judy Scott said she forgives the former North Charleston police officer. "For me and my family, the healing starts today."

Are we being  
fair and effective?

**Step 1:**

**Identify your purpose**



**Data = Counting**





## American Criminal Justice System

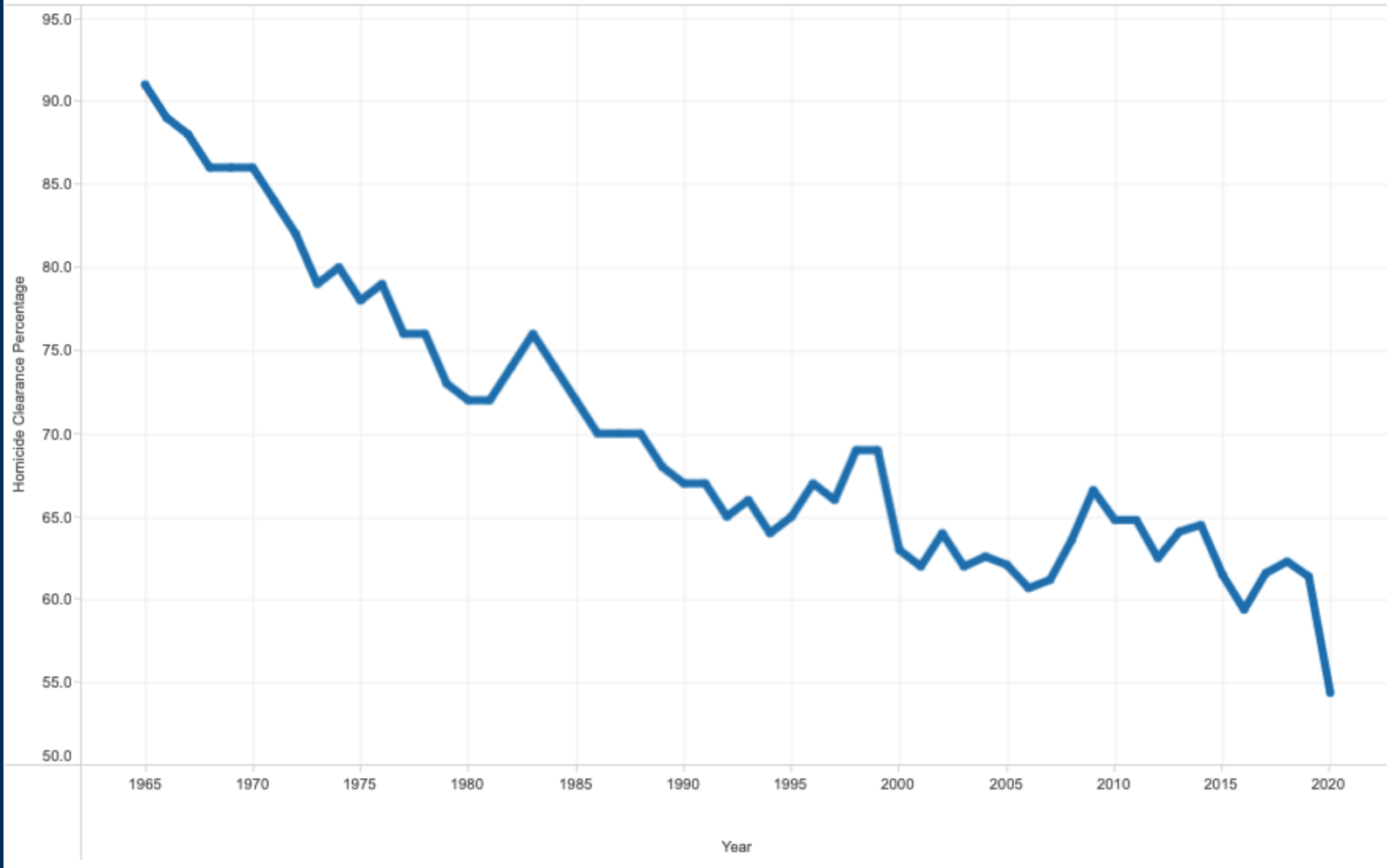


Treated poorly by staff. Did not solve my underlying challenges. Would NOT recommend!

- Crime Survivor

# America's Declining Homicide Clearance Rates 1965-2020

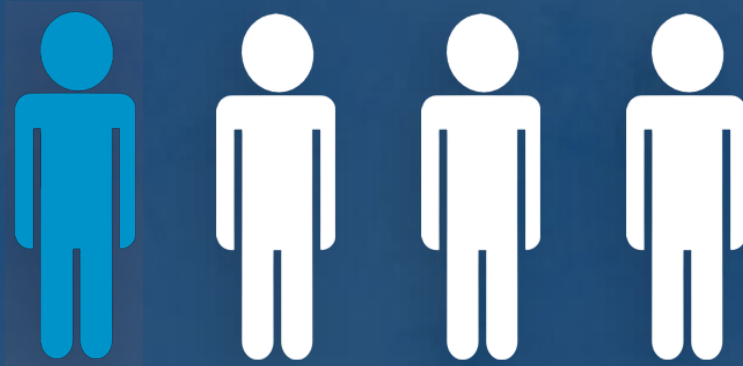
Source: FBI's Criminal Justice Information Services (CJIS)



years/year



Looking at everyone who **enters the system**



**1 in 4** had a case dismissed for **lack of evidence**.

220 days

**Step 2:**

**Count the right  
things**



**Step 3:**

**Deconstruct the system**



**Systems are perfectly designed  
to achieve the results  
they are currently  
achieving.**



# What is systems thinking?

Understanding the interactions between the different parts of a system to achieve desired outcomes.



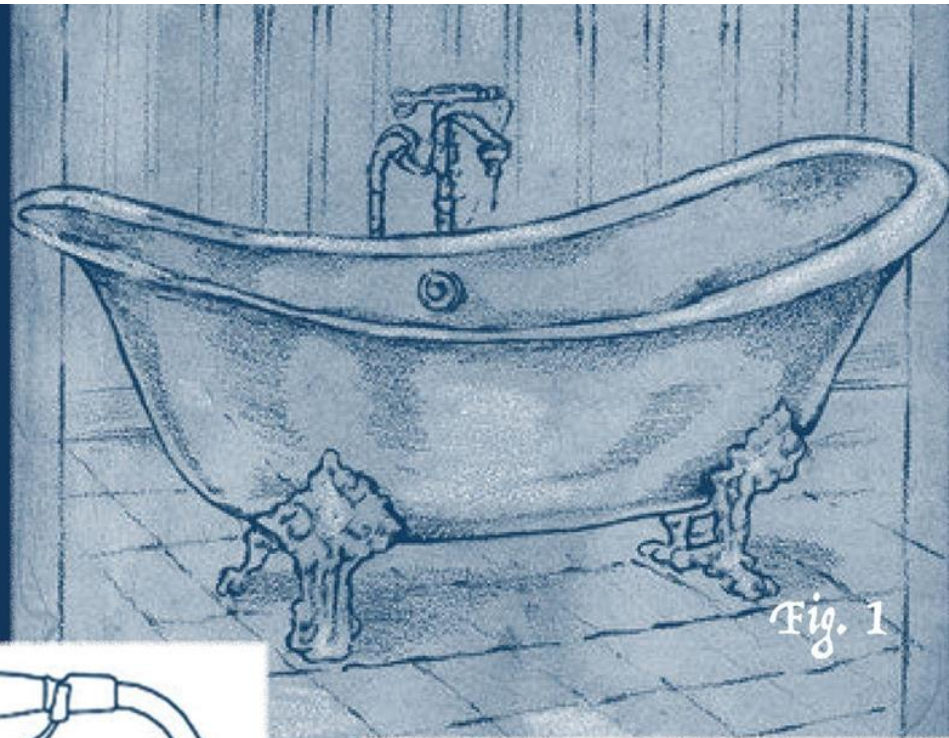


Fig. 1

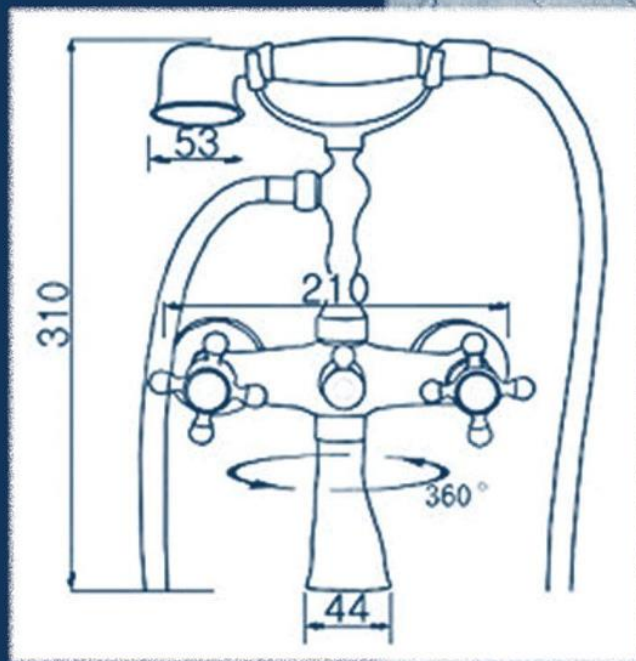


Fig. 2

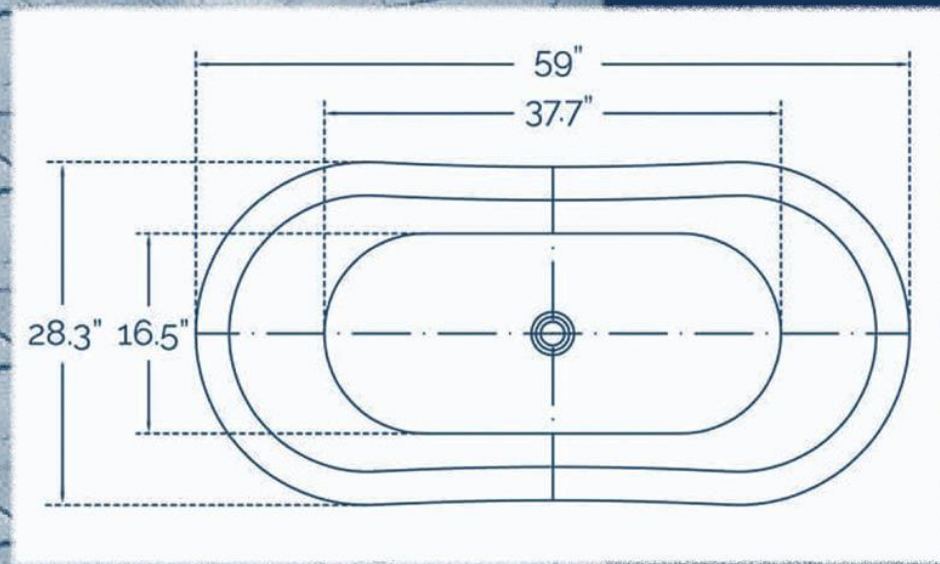


Fig. 3



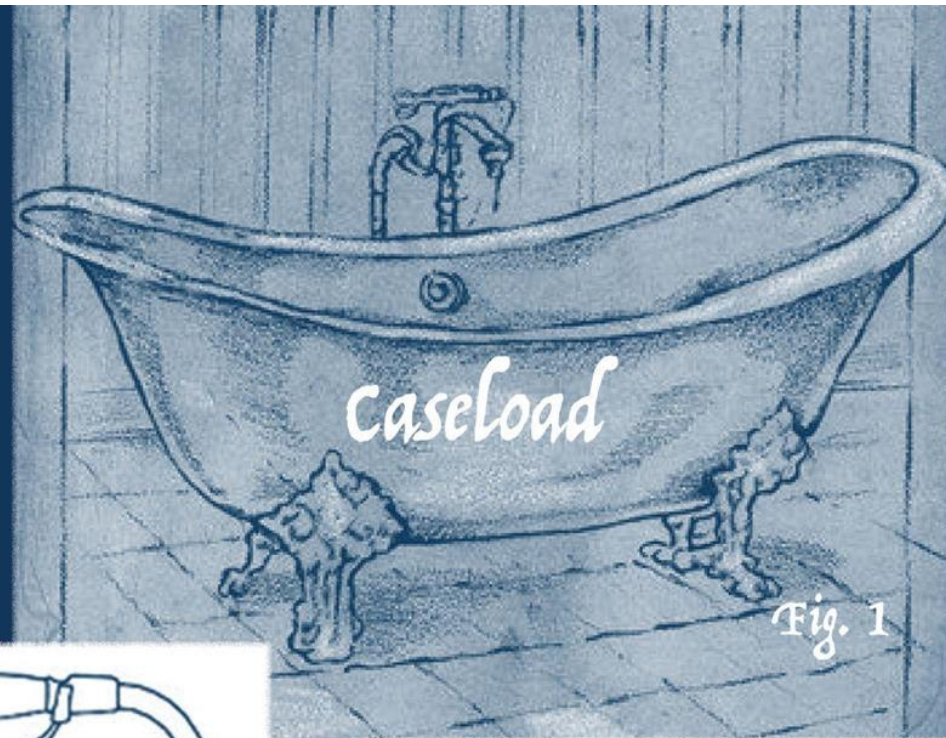


Fig. 1

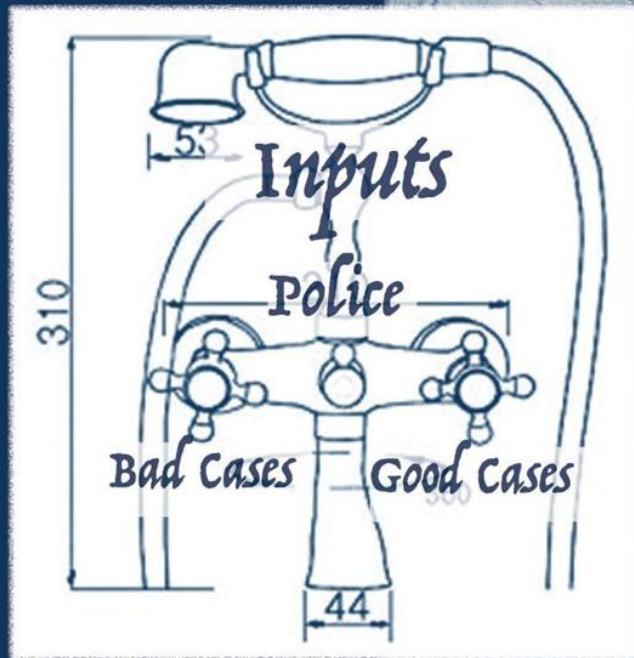


Fig. 2

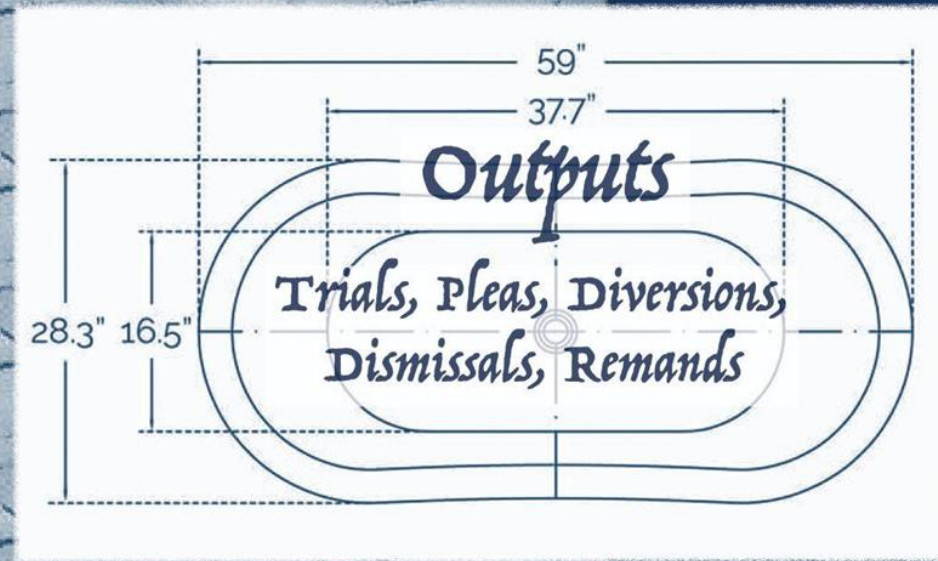
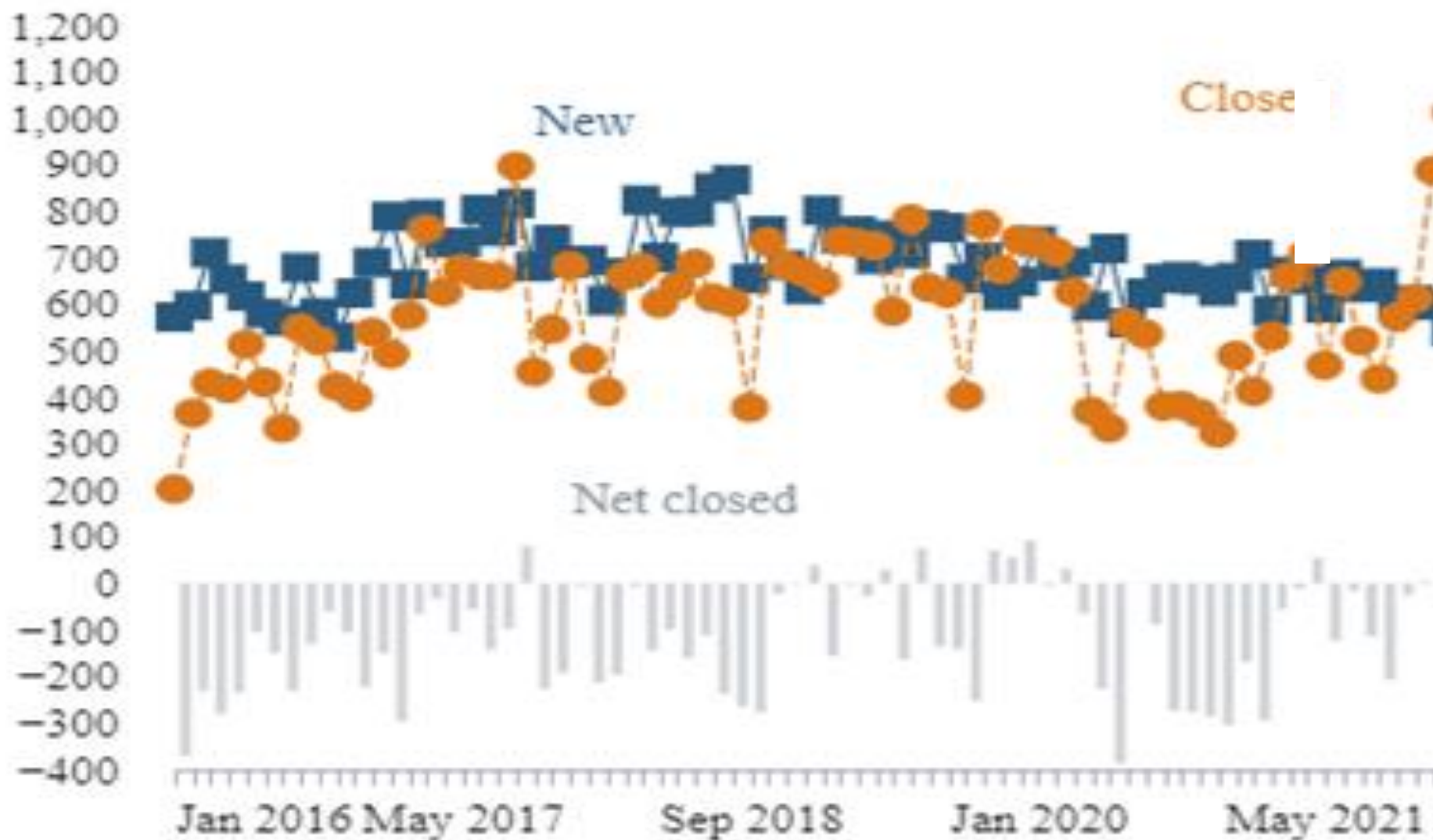


Fig. 3









**Step 4:**

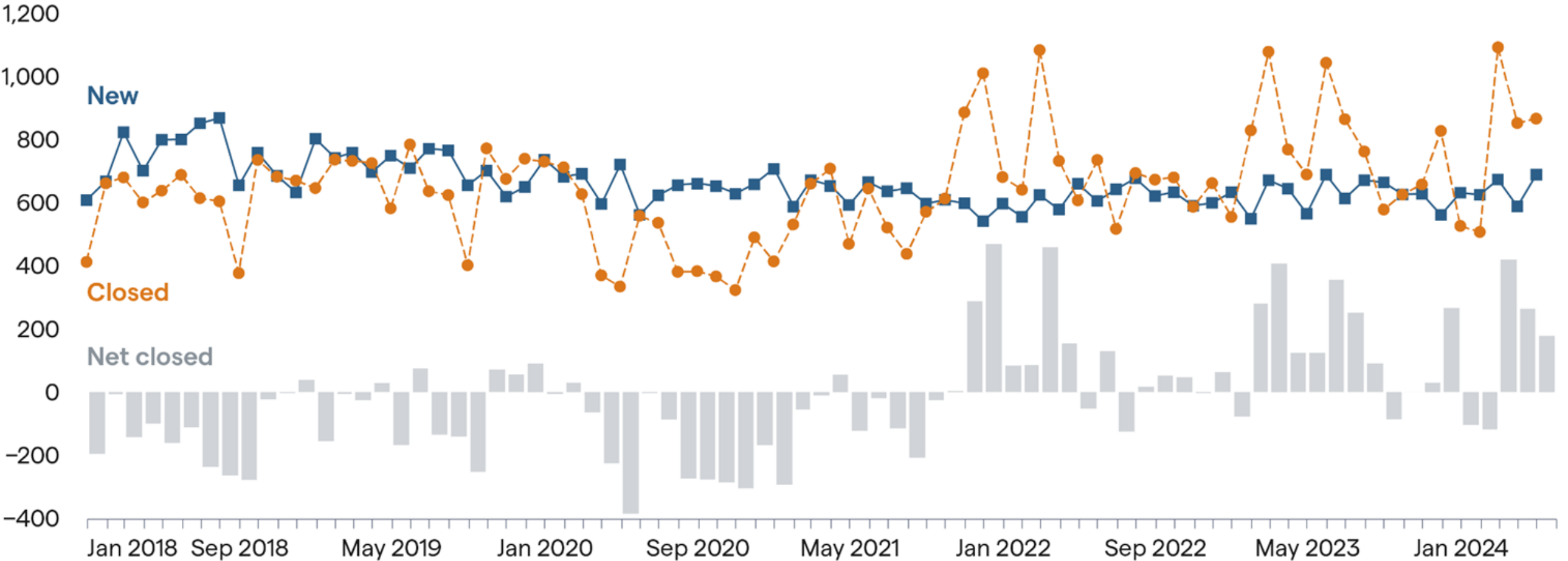
**Hypothesis Mindset**



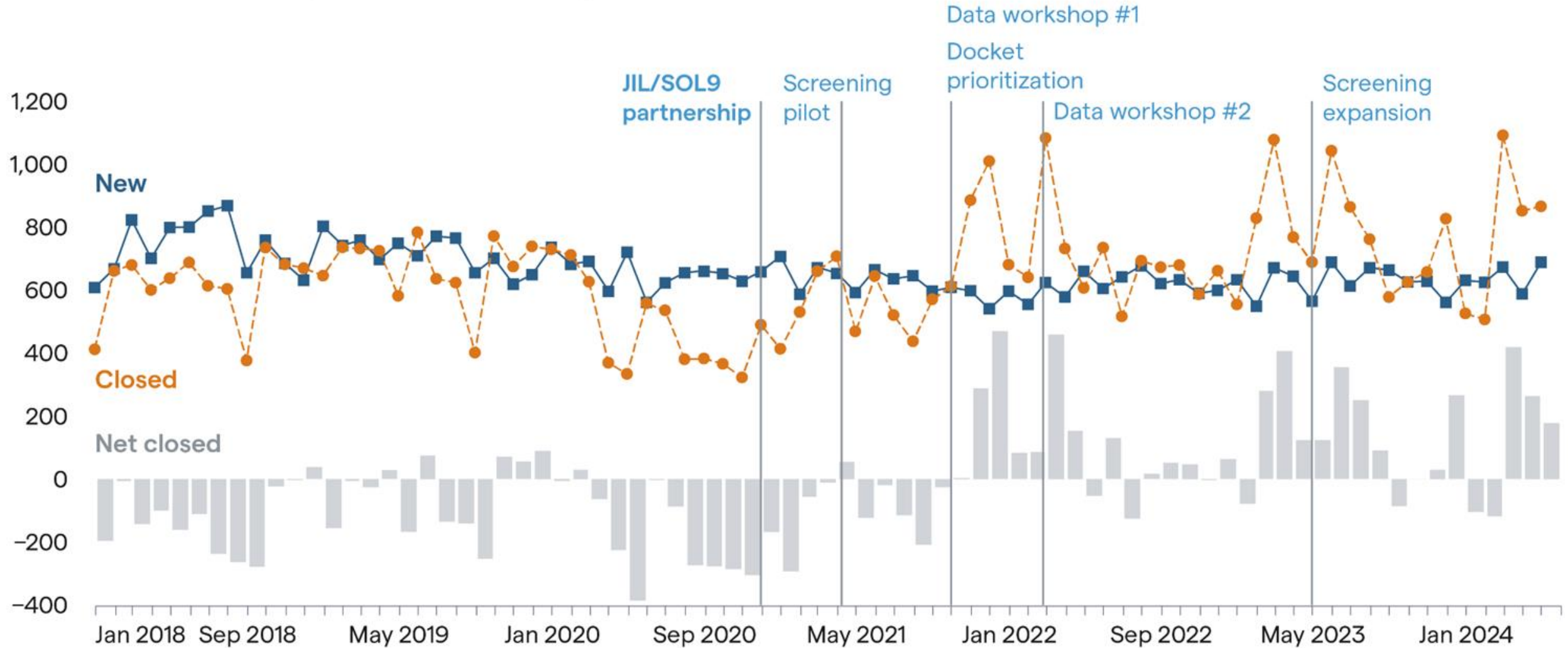
**Hypothesis =**  
an idea that can be **tested**  
through study and  
experimentation



# SOL9 monthly caseload changes



# SOL9 monthly caseload changes



# **The Post and Courier**

Charleston, South Carolina  
August 10, 2022

*Justice Innovation Lab provides  
“a common sense we-can’t-believe-  
this-isn’t-already-being-done program.”*



OFFICE OF THE RAMSEY COUNTY ATTORNEY  
JOHN J. CHOI, COUNTY ATTORNEY

# Non-Public-Safety Traffic Stop Changes in Ramsey County





## RCAO Policy Announced September 8, 2021

Ramsey County Attorney will decline to prosecute cases stemming from:

1. “Non-public-safety” traffic stops, stops based solely on certain minor equipment or registration infractions with **exception for danger to public safety or a dangerous condition**; or
2. The result of searching a vehicle based solely on consent, without any articulable suspicion.



# Non-Public-Safety Traffic Stops

## Minor Equipment Infractions

- Vehicle registration
- License plate illumination
- Windshield prohibitions, such as cracked windshields or objects hanging from the rear-view mirror
- Window tint or other restrictions on glazed windows
- Headlights, signal lights or rear lamp violations, unless both headlights or rear brake lights are nonfunctioning



## Changed Policies or Practices

- Roseville
- Ramsey County Attorney
- Saint Paul Police Department
- Maplewood Police Department
- St. Anthony Village Police Department





## Results

- Non-public-safety traffic stops went down by 86%, and related searches declined by 92% for participating police departments.
- Non-public-safety traffic stops by participating departments decreased from 25% to 5% of all traffic stops.
- Black drivers in Ramsey County experienced the largest decrease in non-public-safety traffic stops per capita, down 66% the year after the change.
- The changes had no discernible effect on crime rates.



**LIGHTS ON!**

A PROGRAM OF MICROGRANTS

Lights On! partners with law enforcement and auto service providers to replace traffic tickets with repair vouchers.



SAINT PAUL  
& MINNESOTA  
FOUNDATION



**DIVERSION SOLUTIONS**



## Alternatives

- Since January 12, 2023 Roseville has sent out over 1,925 letters and provided 60 Lights On vouchers.
- Since May 30, 2022 Saint Paul has sent out over 1,400 letters and provided 22 Lights On vouchers.
- In the first month, January 2024, Maplewood sent 126 letters and provided 16 Lights On vouchers.



# For More Information

[www.ramseycounty.us/content/decreasing-non-public-safety-traffic-stops](http://www.ramseycounty.us/content/decreasing-non-public-safety-traffic-stops)

## Decreasing Non-Public-Safety Traffic Stops



Ramsey County Attorney John Choi stood with law enforcement and community leaders from across Ramsey County to announce independent research results that affirm progress toward the goal to improve the quality of justice and safety by focusing resources on situations that are most likely to present a public safety threat, improving community trust and reducing racial inequities.

### Videos

- > [Non-Public-Safety Traffic Stop Trailer](#) (1 min.)
- > [Non-Public-Safety Traffic Stop Video](#) (8 min.)
- > [Press Conference Video](#)

### Documents

- > [RCAO press release](#)
- > [Justice Innovation Lab research and data findings report](#)
- > [Justice Innovation Lab summary page](#)
- > [Powerpoint](#)
- > [Resource list](#)
- > [Ramsey County Attorney's Office policy](#)
- > [Roseville press release](#)
- > [Roseville non-public-safety stop policy](#)
- > [Equipment Violation Letter - Roseville example](#)
- > [Equipment Violation Letter - St. Paul PD example](#)



Justice  
Innovation  
Lab

## Follow Us



[www.JusticeInnovationLab.org](http://www.JusticeInnovationLab.org)

@Lab4Justice







# Innovation Accelerator

Nashville, TN  
May 2025



Understand the world as it is.  
Imagine the world as it could be.  
Do justice.

